

# Hydraulic 2-Ram-Lift

Type: JAB TwinRam 35 XY - TwinRam 35 XY/1700



Electro-hydraulic lift with pick-up plates (supports length- and crosswise adjustable) for fast and safe supporting of vehicles. Lengthwise supports painted and supports hot dip galvanized in standard execution.

Also available with extended pick-up plates upon request.

User-friendly through low drive-over height. The TwinRam 35 XY simplifies the supporting of vehicles, reduces the set-up time and grants an optimum of accessibility.

This lift is suitable everywhere in the workshop and therefore it is an „allround lift“ with main focus on service reception and repair works. The lift is available with a ram distance of 1.300 mm or 1.700 mm.

## Technical Data

Type	TwinRam 35 XY	TwinRam 35 XY/1700
Lifting capacity	3.500 kg	3.500 kg
Ram distance	1.300 mm	1.700 mm
Effective stroke	2.030 mm	2.030 mm
Lifting time approx.	30 sec.	30 sec.
Electric motor	2 kW	2 kW
Oil filling	10 ltr.	10 ltr.

***In case you need any further information, please don't hesitate to contact us! JAB - Made in Germany***

## JAB-Advantages

- Foundation cassette and installation frame separately, only screwed together
- Synchronisation through continuous crossbar
- Chromium plated piston bars are abrasive-free and totally sealed
- All force is taken up by the installation frame and led into the ground
- Foundation cassette seal welded for installation in water protected area
- Very fast lifting of vehicle
- Hydraulic power pack is integrated in installation frame (no hydraulic hoses), therefore short installation time
- Simple reset of different supports
- Environmental friendly through low oil quantity and use of bio-degradable hydraulic oils (upon request)
- Many accessories available for all demands
- Easy to maintain through best accessibility
- Highest quality and huge life span
- Advice, after sales and maintenance - all through JAB

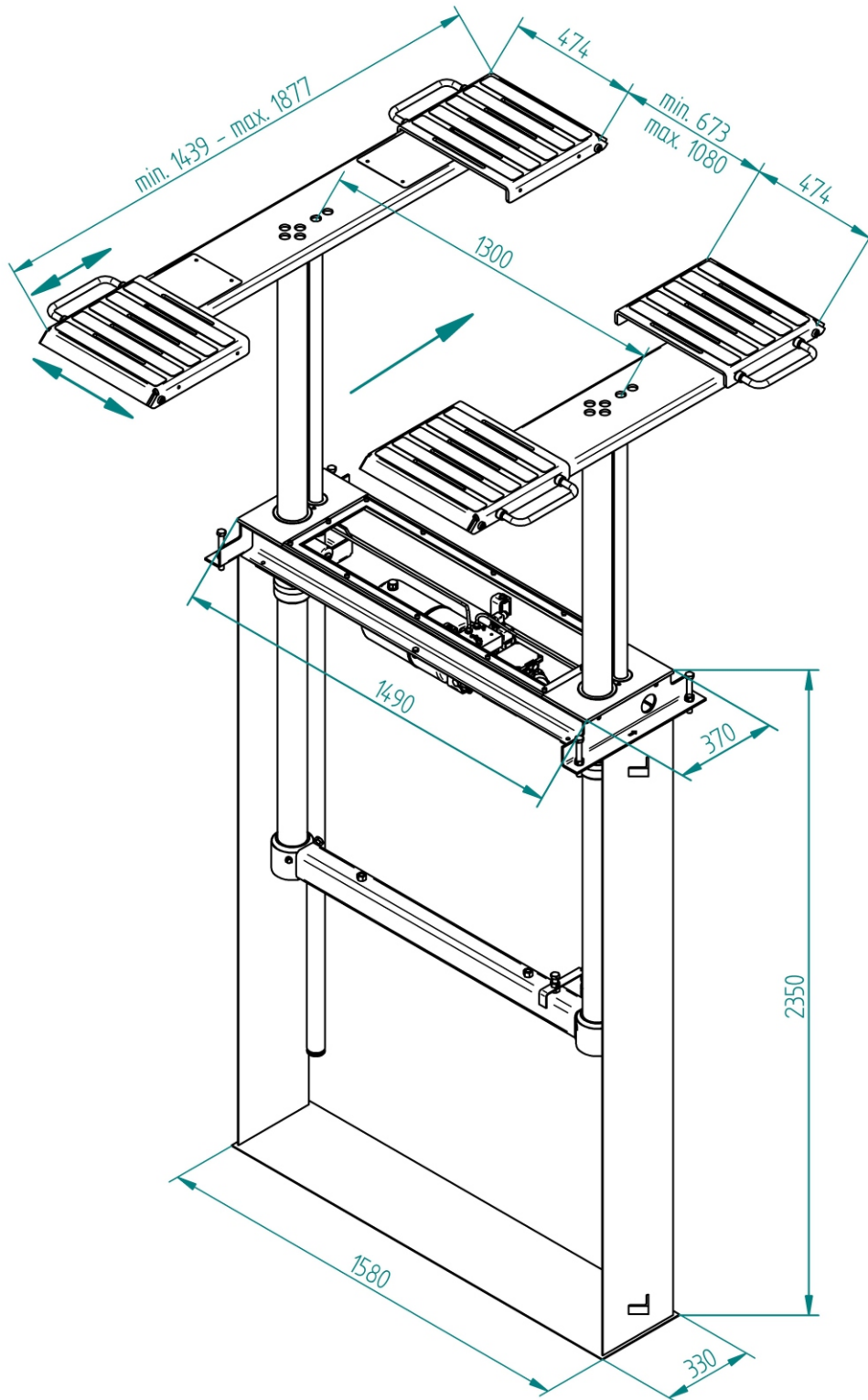


J.A. Becker & Söhne GmbH & Co KG  
Postfach 1151 · D-74148 Neckarsulm  
Telephone +49 (0) 7132 367-0 · Telefax +49 (0) 7132 367-289  
E-Mail: [info@jab-becker.de](mailto:info@jab-becker.de) / [www.jab-becker.de](http://www.jab-becker.de)



# Detailed dimensions

Type: JAB TwinRam 35 XY



Technical changes and modifications reserved!  
Several executions available!



J.A. Becker & Söhne GmbH & Co KG  
Postfach 1151 · D-74148 Neckarsulm  
Telephone +49 (0) 7132 367-0 · Telefax +49 (0) 7132 367-289  
E-Mail: [info@jab-becker.de](mailto:info@jab-becker.de) / [www.jab-becker.de](http://www.jab-becker.de)



02/2018