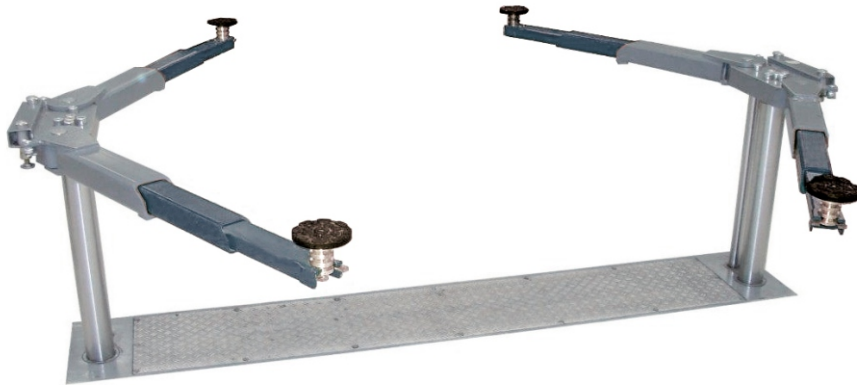


Hydraulic 2-Ram-Lift

Type: JAB TwinRam 35 S2/2300



Electro-hydraulic lift with 2-stage telescopic swing arms and vertically adjustable pick-up pads. The lifted vehicle is nearly unlimited accessible and therefore the lift grants optimal working conditions.

The swing arm lift is an excellent choice for all kind of repair works. The efficiency and quality of your workshop results will be decisively improved by JAB-Lifts.

Technical Data

Type	TwinRam 35 S2/2300
Lifting capacity	3.500 kg
Ram distance	2.300 mm
Effective stroke	1.946 mm
Lifting time approx.	30 sec.
Electric motor	2 kW
Oil filling	10 ltr.

In case you need any further information, please don't hesitate to contact us! JAB - Made in Germany

JAB-Advantages:

- Foundation cassette and installation frame separately, only screwed together
- Synchronisation through continuous crossbar
- Chromium plated piston bars are abrasive-free and totally sealed
- All force is taken up by the installation frame and led into the ground
- Foundation cassette seal welded for installation into water protected area
- Simple reset of different supports
- Environmental friendly through low oil quantity and use of bio-degradable hydraulic oils (upon request)
- Many accessories available for all demands
- Optional hot dip galvanized execution for best possible corrosion protection
- Easy to maintain through best accessibility
- Highest quality and huge life span
- Advice, after sales and maintenance - all through JAB

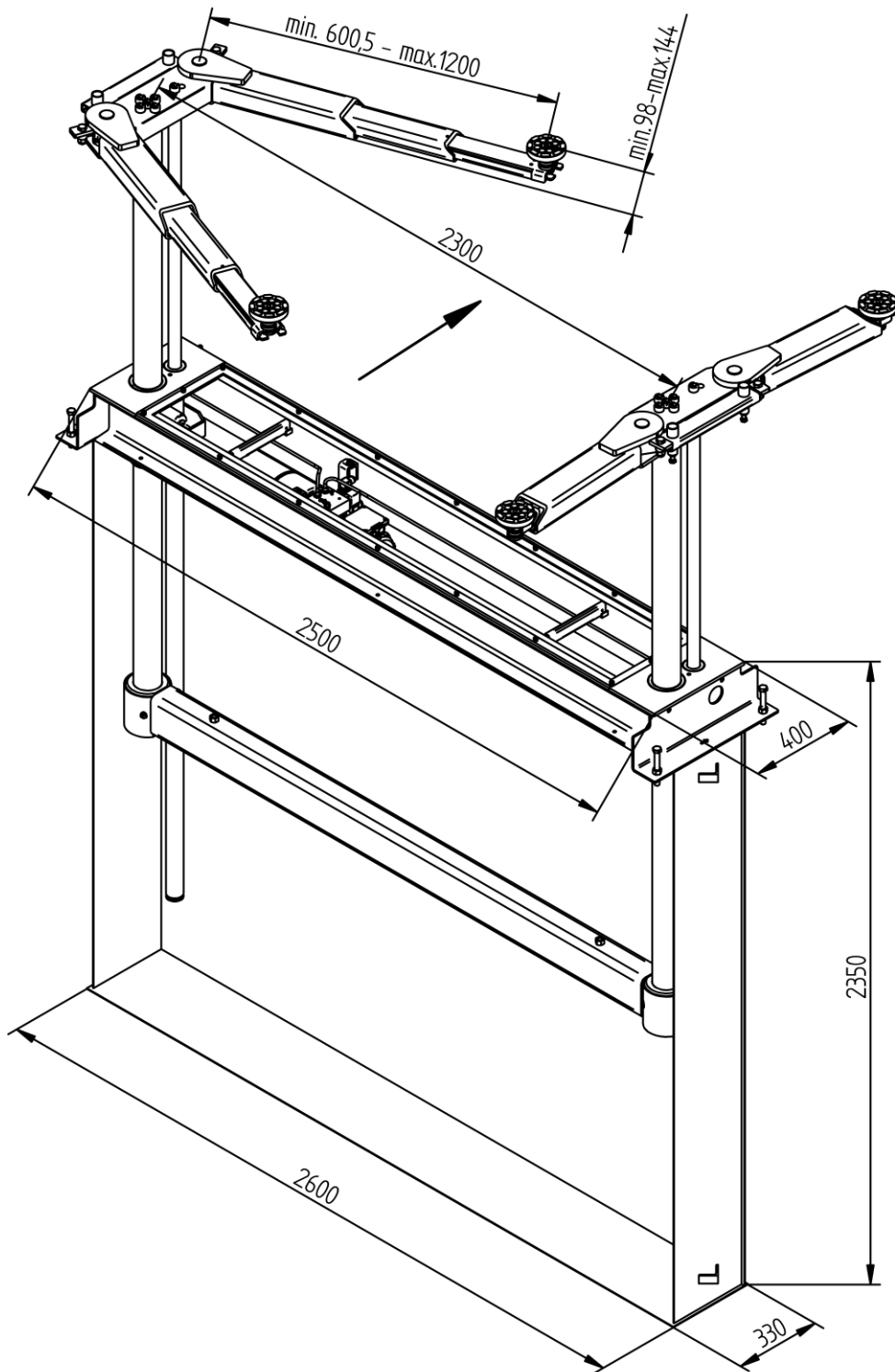


J.A. Becker & Söhne GmbH & Co KG
Postfach 1151 · D-74148 Neckarsulm
Telephone +49 (0) 7132 367-0 · Telefax +49 (0) 7132 367-289
E-Mail: info@jab-becker.de / www.jab-becker.de



Detailed dimensions

Type: JAB TwinRam 35 S2/2300



Technical changes and modifications reserved!
Several executions available!



J.A. Becker & Söhne GmbH & Co KG
Postfach 1151 · D-74148 Neckarsulm
Telephone +49 (0) 7132 367-0 · Telefax +49 (0) 7132 367-289
E-Mail: info@jab-becker.de / www.jab-becker.de



02/2018